

# Technical data sheet

## Product features



### tabletop freezer electric GN 1/1, 2 doors, without rim, stainless steel 230 V OOP

|              |                 |          |
|--------------|-----------------|----------|
| <b>Model</b> | <b>SAP Code</b> | 00004031 |
|--------------|-----------------|----------|



- Material: Stainless steel
- GN / EN size in device: GN 1/1
- Number of GN / EN: 2
- Number of doors: 2
- Control type: Digital
- Minimum device temperature [°C]: -18
- Maximum device temperature [°C]: -24
- Max ambient temperature [°C]: 43
- Insulation thickness [mm]: 70
- Unit: Right

|                            |                    |  |        |
|----------------------------|--------------------|--|--------|
| <b>SAP Code</b>            | 00004031           | <b>Number of doors</b>                 | 2      |
| <b>Net Width [mm]</b>      | 1380               | <b>Number of GN / EN</b>               | 2      |
| <b>Net Depth [mm]</b>      | 700                | <b>GN / EN size in device</b>          | GN 1/1 |
| <b>Net Height [mm]</b>     | 850                | <b>Minimum device temperature [°C]</b> | -18    |
| <b>Net Weight [kg]</b>     | 110.00             | <b>Maximum device temperature [°C]</b> | -24    |
| <b>Power electric [kW]</b> | 0.400              | <b>Refrigerant</b>                     | R290   |
| <b>Loading</b>             | 230 V / 1N - 50 Hz |  |        |

# Technical data sheet

Technical drawing

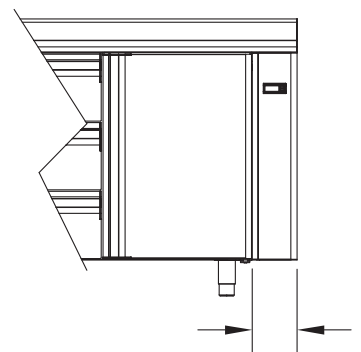
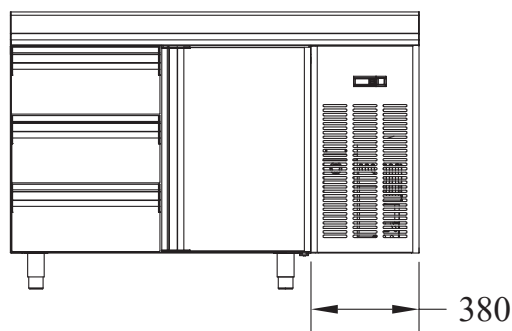
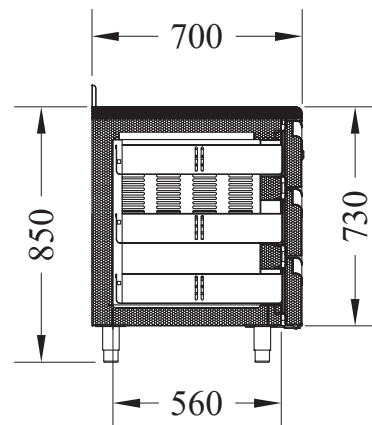
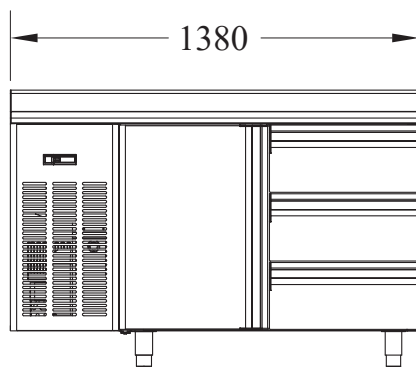
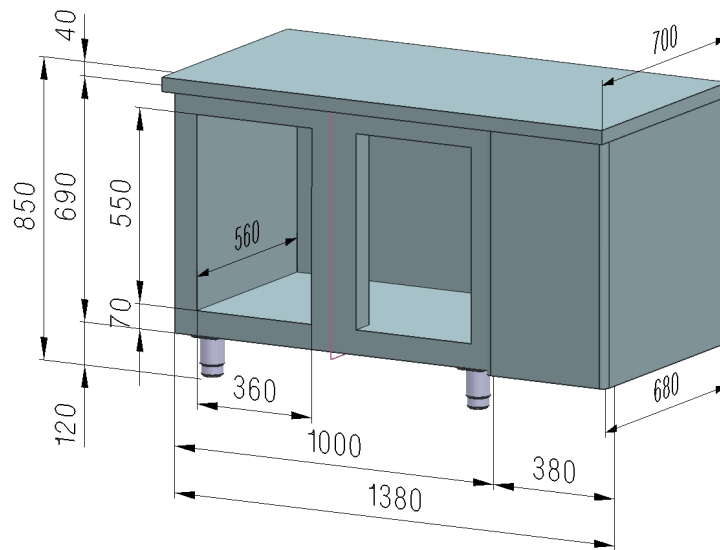


tabletop freezer electric GN 1/1, 2 doors, without rim, stainless steel 230 V OOP

Model

SAP Code

00004031



# Technical data sheet

Product benefits



tabletop freezer electric GN 1/1, 2 doors, without rim, stainless steel 230 V OOP

Model

SAP Code

00004031

1

## Climate class tropico

works up to 43 °C

- guaranteed operation even in a warm kitchen environment

2

## Insulation 60mm

minimal losses

- low energy consumption
- less environmental burden

# Technical data sheet

Technical parameters



tabletop freezer electric GN 1/1, 2 doors, without rim, stainless steel 230 V OOP

**Model**

**SAP Code**

00004031

**1. SAP Code:**

00004031

**2. Net Width [mm]:**

1380

**3. Net Depth [mm]:**

700

**4. Net Height [mm]:**

850

**5. Net Weight [kg]:**

110.00

**6. Gross Width [mm]:**

1450

**7. Gross depth [mm]:**

750

**8. Gross Height [mm]:**

900

**9. Gross Weight [kg]:**

140.00

**10. Device type:**

Electric unit

**11. Power electric [kW]:**

0.400

**12. Loading:**

230 V / 1N - 50 Hz

**13. Refrigerant:**

R290

**14. Material:**

Stainless steel

**15. Max ambient temperature [°C]:**

43

**16. Device properties 2:**

Freezing

**17. GN / EN size in device:**

GN 1/1

**18. Number of GN / EN:**

2

**19. Adjustable feet:**

Yes

**20. Pizza design:**

No

**21. Insulation thickness [mm]:**

70

**22. Number of doors:**

2

**23. Unit:**

Right

**24. Control type:**

Digital

**25. Minimum device temperature [°C]:**

-18

**26. Maximum device temperature [°C]:**

-24

**27. Gross Volume [m3]:**

0.979

**28. Net Volume [m3]:**

0.821

# Technical data sheet

Technical parameters



tabletop freezer electric GN 1/1, 2 doors, without rim, stainless steel 230 V OOP

Model

SAP Code

00004031

## 29. Cross-section of conductors CU [mm<sup>2</sup>]:

0,5

– Výkon (kW): 2,4-3,3 (230 V)